



Multi-touch LWB-8218S INTERACTIVE WHITEBOARD



The most popular interactive technology for your classroom environment

LABWE board LWB-8218S interactive whiteboards bring finger-driven interactivity to your classroom or conference room. It harmonizes the latest interactive technology with low-gloss projection screen, hence, creates an easy and healthy teaching environment. Finger touch capacity and software interface simulating Office Ribbon enables LABWE board LWB-8218S intuitive for anyone to use.

Finger-driven Technology



Use your finger, stylus pen or any opaque object to easily navigate through activities, websites, and multimedia content.

Ten-pen Features



Ten users can write and work on the whole surface of the board simultaneously.

Quick Access to Frequently Used Tools



The function buttons situated to each side of the board allow quick access to most frequently used tools.

Labwe Interactive Whiteboard Software V4.1 Bundled

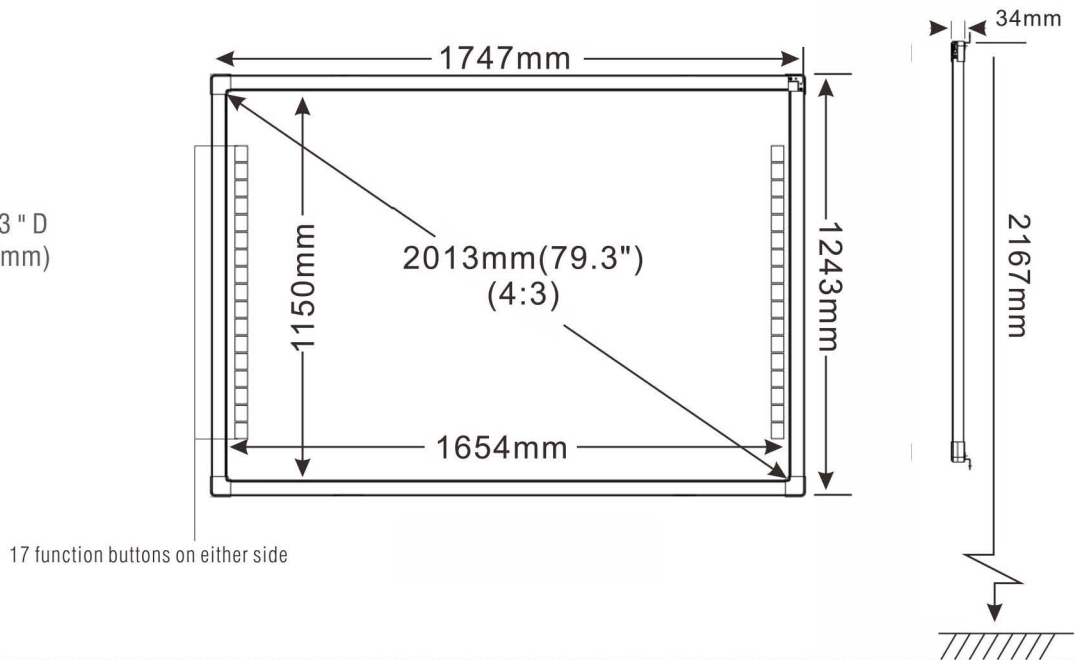


User-friendly software interface simulating Office Ribbon makes it convenient for teaching and presentation.

Multi-touch LWB-8218S interactive whiteboard

Dimensions and weights

- **Weight**
51 lb. (23.1 kg)
- **Shipping dimensions**
74.41" W × 54.53" H × 3.43" D
(1890mm × 1385mm × 87mm)
- **Shipping weight**
69 lb. (31.3 kg)
- **Container**
117pcs/ 20GP
255pcs/ 40HQ



Accessories (Optional)



Wireless Module



Sound Bar



Mobile Stand



Labwe Slate



All-in-one Console

Specifications LWB-8218S

- **Model No.**
LWB-8218S
- **Input Methods**
Infrared ray shading detection system
- **Interface to Computer**
USB 1.1, USB 2.0, USB 3.0
- **Effective Screen Size (mm)**
LWB-8218S: 1,654 (W) x 1,150 (H)
- **Board/Surface Material**
High density polyester (core), steel (surface)
- **Multi-touch capabilities**
Support 10 simultaneous writing
- **Operating Specification**
-10 – +50 °C, 20 – 80% humidity without condensation
- **Storage Specification**
-40 – +60 °C, 20 – 80% Humidity without condensation
- **Accuracy**
Approximately ±1.5mm
- **Sampling Rate**
Approximately 100 points/sec
- **Certificates**
FCC Class B, CE, RoHS, WEEE
- **System requirements**
CPU: Intel Pentium 4 1.8GHz or higher
RAM: 1GB or more
HDD: 600MB or more
Display Color Depth: 32bits or more
- **OS support**
Windows OS: Windows XP, Windows7–10
Vista(32/64bit), 7(32/64bit), 8(32/64bit)
(Tablet PC Edition and Server Edition are not supported)
Linux OS: Ubuntu 12.04
- **Warranty**
2 years limited equipment warranty
- **Software**
LABWE interactive whiteboard V4.1

Authorized distributor / reseller

Labotrix Group Limited
TEL: +86 (0)755 89637177
www.labwe.com/en

